

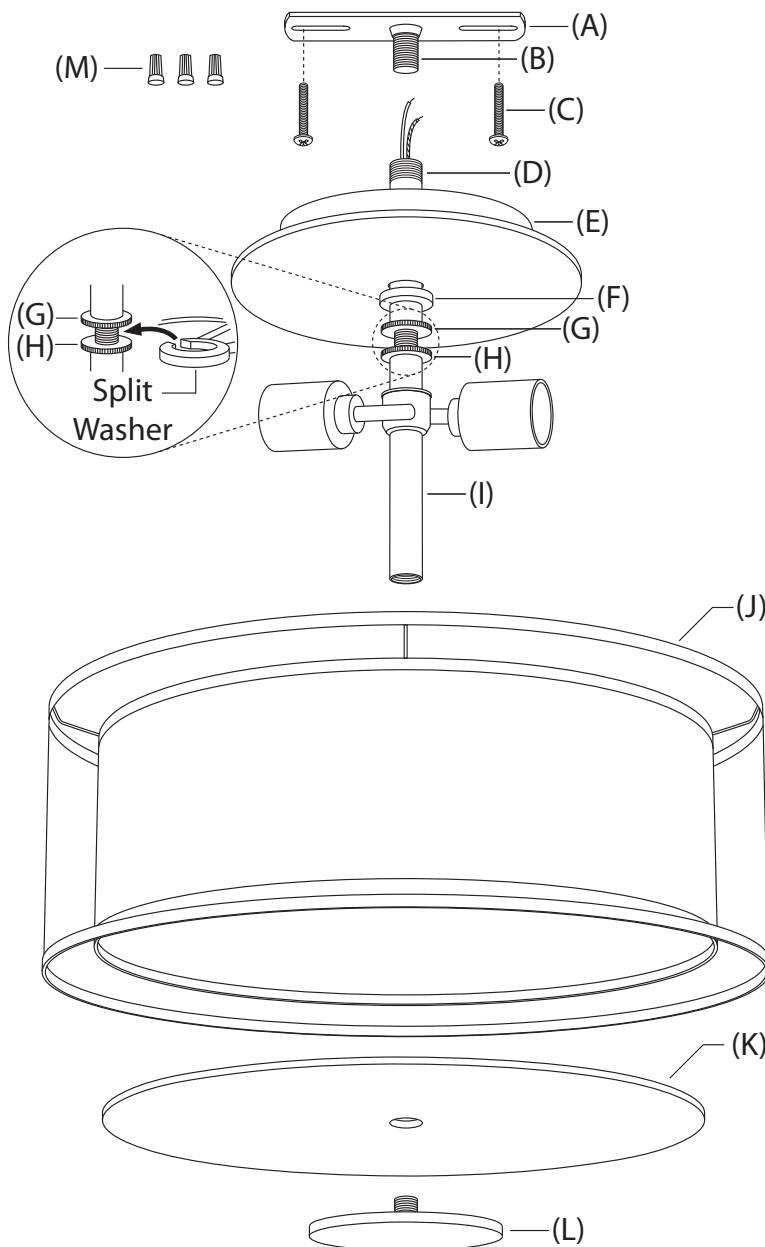
ASSEMBLY INSTRUCTIONS FOR YOUR
SATURNIA SEMI-FLUSH MOUNT

IMPORTANT SAFETY INSTRUCTIONS:

- * These instructions are provided for your safety. It is very important that they are read completely before beginning the installation of your fixture.
- * **WE STRONGLY RECOMMEND INSTALLATION BY A LICENSED ELECTRICIAN.**
- * Turn off power at switch before replacing bulbs, making sure fixture has had sufficient time to cool down.
- * **DO NOT** subject the fixture to any shock while lit as shattering of bulbs may result.

ASSEMBLY INSTRUCTIONS:

1. SHUT OFF THE MAIN ELECTRICAL SUPPLY AT FUSE BOX/ CIRCUIT BREAKER.
2. Remove parts from carton and discard packing material.
3. Affix crossbar (A) (with threaded nipple (B) attached) to ceiling outlet box using mounting screws (C).
4. Unscrew collar (F) from center tube (D). Lower the collar and the canopy down over the center tube so they rest just above the sockets.
5. Lift the fixture to the ceiling outlet box. **Thread the fixture wires exiting center tube (D) up through the threaded nipple (B) on the crossbar.**
6. Carefully pull the wires from the fixture and the wires from the outlet box out of the outlet box so the proper electrical connections can be made.
7. Make the proper electrical connections described in steps 8 -10. A LICENSED ELECTRICIAN IS RECOMMENDED.
8. Attach ground wire from fixture (green or silver in color) to ground wire from outlet box. Fasten wires together with wire nut (M) and tightly wrap connection with electrical tape.
9. Attach hot wire from fixture (black in color or smooth side of wire) to hot wire from outlet box. Fasten wires together with wire nut (M) and tightly wrap connection with electrical tape.
10. Attach neutral wire from fixture (white in color or ribbed side of wire) to neutral wire from outlet box. Fasten wires together with wire nut (M) and tightly wrap connection with electrical tape.



11. Carefully push the wire connections back into the ceiling outlet box.
12. Thread center tube (D) onto threaded nipple (B). The entire fixture will have to be turned (rotated) to thread the two parts together.
13. Lift canopy (E) up so it rests against the ceiling. To secure the position of the canopy, lift collar (F) up and attach it to the threaded portion of center tube (D). Turn until hand tight.
14. Lift shade (J) over the bottom section of fixture. Slide the split washer from the shade between shade washer (G) and shade washer (H), as show above. To secure the shade to the fixture, turn shade washer (G) clockwise until it rests firmly against the split washer.
15. Install two (2) 100W MAX. Type A, medium base bulbs into the sockets.
16. Lift diffuser (K) to tube (I). Pass the threaded nipple on plate (L) through the hole in the center of diffuser (K), and thread it into tube (I). Turn until hand tight.
17. Reconnect main electrical supply from the fuse box/ circuit breaker and test the fixture.

To clean, use soft cloth only. Do not use any chemical or abrasive cleaners.