

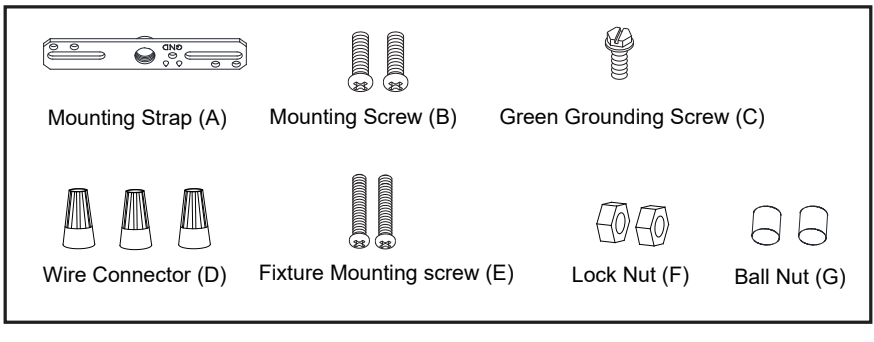
ASSEMBLY AND INSTALLATION INSTRUCTIONS

C0217

WARNING: TO AVOID RISK OF ELECTRICAL SHOCK, BE SURE TO SHUT OFF POWER WHILE INSTALLING OR SERVICING THIS FIXTURE.

NOTES: 1. Before installing, consult local electrical codes for wiring and grounding requirements.
2. READ AND SAVE THESE INSTRUCTIONS.

Hardware Package (included):

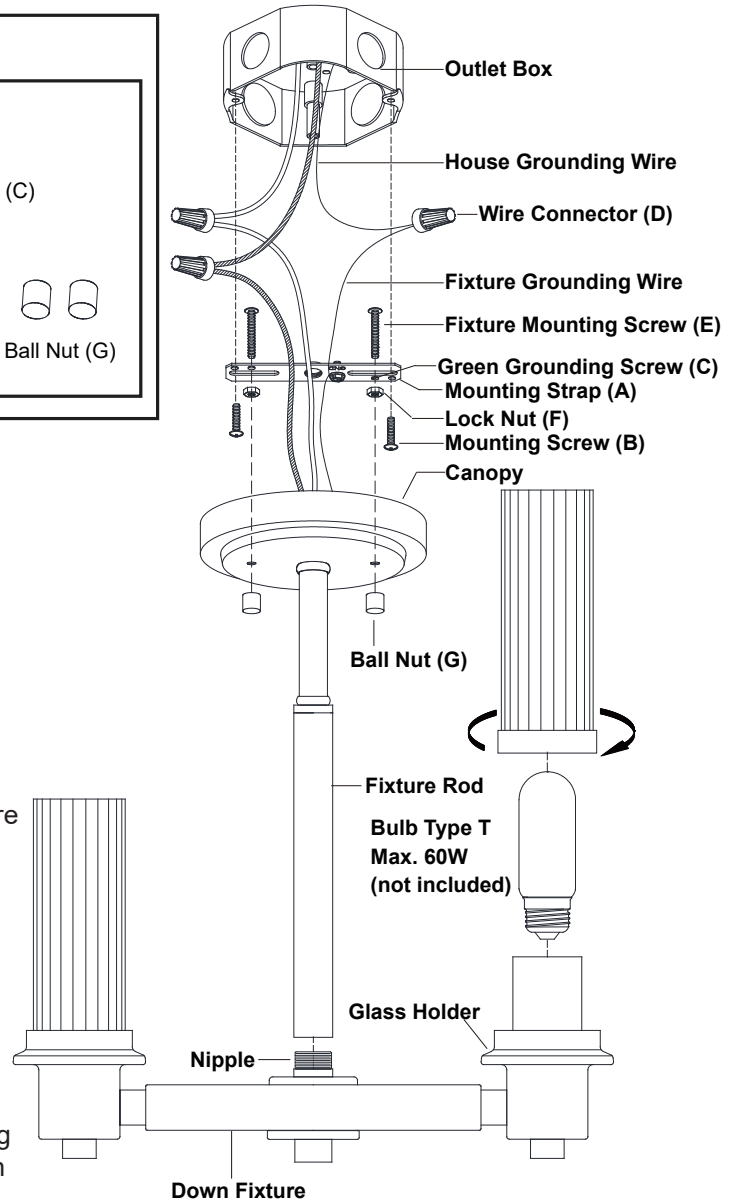


Installation Steps

Turn off the power at fuse or circuit box.

1. Screw the fixture rod to the down fixture with nipple tightly.
2. Attach two fixture mounting screws to the mounting strap, and secure it with two lock nuts. Adjust the length of the fixture mounting screws if necessary.
3. Attach the mounting strap to the outlet box by using two fixture mounting screws.
4. Pull out the source wires from the outlet box. Make wire connections using wire connectors as follows:
 - Connect the hot wire (usually black insulation) from the fixture to the black wire from the power source.
 - Connect the neutral wire (usually white insulation) from the fixture to the white wire from the power source.
 - Attach the fixture grounding wire (usually green insulation or bare wire) to the mounting plate with the green grounding screw, and then connect it to the house grounding wire with the wire connector.Carefully put the wires back into the outlet box.
5. Attach the canopy to the mounting strap, and secure it with the ball nuts.
6. Install bulbs (not included). Check relamping label at socket area or packaging for maximum allowed wattage.
7. Attach the glass shades to the glass holders directly.

Turn on the power at fuse or circuit box.



The following parts are available for re-order if damaged or missing.

Spare Parts List:



Mounting Strap (A)



Mounting Screw (B)



Green Grounding Screw (C)

→ Mounting Hardware
6026MM (1 SET)



Wire Connector (D)



Fixture Mounting screw (E)



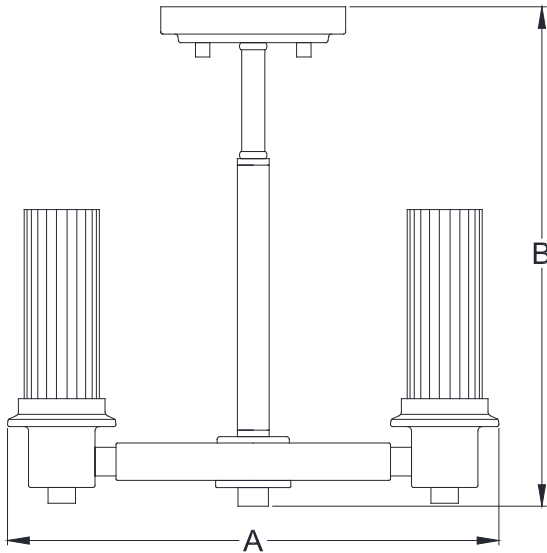
Lock Nut (F)



Ball Nut (G)



Glass Shade
10048CR (3PCS)



A: 13-3/8"

B: 13-3/4"