

ASSEMBLY AND INSTALLATION INSTRUCTIONS

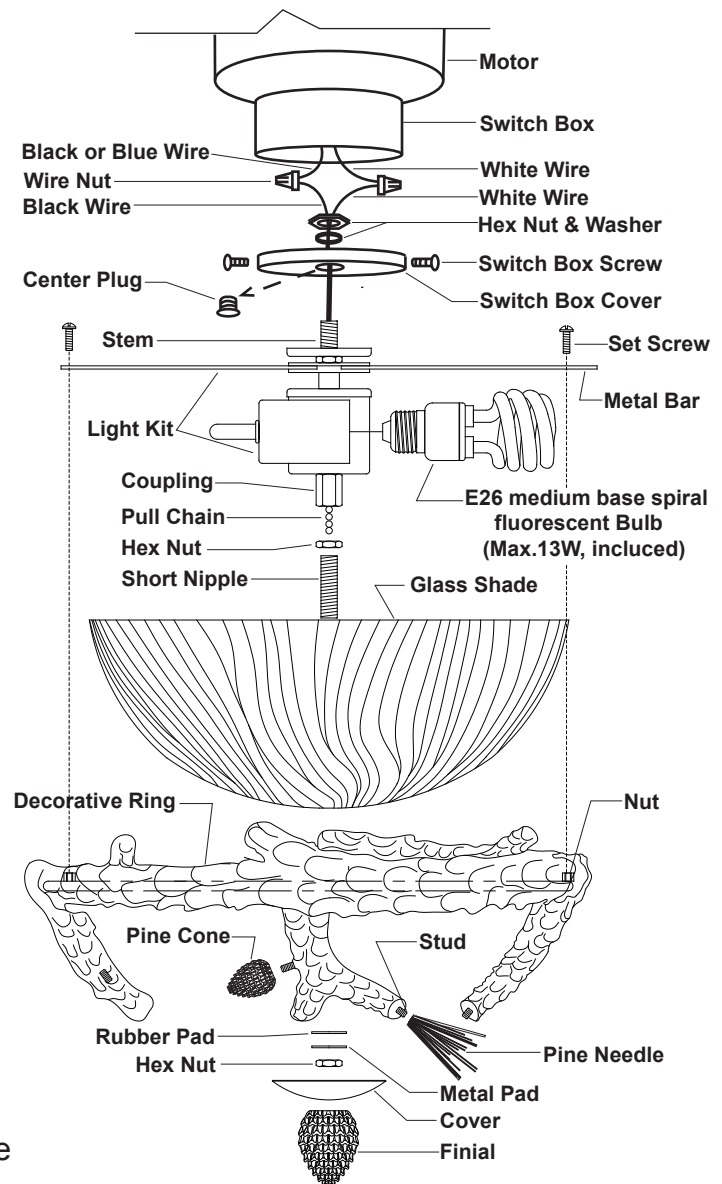
LK51218

WARNING: BE SURE TO SHUT OFF POWER AT THE MAIN FUSE OR CIRCUIT BREAKER BOX BEFORE INSTALLING OR SERVICING THIS FIXTURE.

NOTE: 1. Before installing, consult local electrical codes for wiring and grounding requirements.
2. The combined weight of your ceiling fan and light kit cannot exceed 35 pounds unless additional support is provided for the fan.

For Light Kit:

1. Remove the switch box cover from the switch box of the fan by loosening the three switch box screws.
2. Unscrew the center plug from the switch box cover and discard it.
3. Thread the fixture wire through the switch box cover.
4. Attach the switch box cover to the light kit, then secure it with a washer and hex nut.
5. Thread the pull chain through a hex nut and the short nipple. Screw the short nipple into the coupling and secure it with a hex nut.
6. Install bulbs (included). See relamping label at socket area or packaging for maximum allowed wattage.
7. Gently place the glass shade into the decorative ring. With the pull chain and short nipple passing through the hole of glass shade, attach the glass shade assembly up to the metal bars, and fasten it by securing the set screws into the nuts of decorative ring.
8. Cut the redundant wires if necessary. Pull out the wires from the switch box. Make wire connections using the wire nuts:
 - The black wire from the light kit to the black (or blue) wire from the switch box.
 - The white wire from the light kit to the white wire from the switch box.Carefully put the wires back into the switch box.
9. Attach the switch box cover back to the switch box using the three switch box screws.
10. Thread the pull chain through a rubber pad, metal pad and hex nut, then secure them onto the short nipple. (Do not over tighten)
11. Thread the pull chain through the cover and finial, then slide the cover up to the glass shade, secure it with finial.
12. Secure the pine needles and pine cones onto the studs of the decorative ring.
13. Turn on the power at the main fuse or circuit breaker box.
(You can control the light with the pull chain)



For Semi-Flush

1. Take out the parts from the hardware package For Semi-Flush.
2. Attach two screws to the mounting strap, and secure it with two lock nuts. Adjust the length of the screws if necessary.
3. Attach the mounting strap to the outlet box by using two mounting screws.
4. Follow steps 5~7 as For Light Kit.
5. Thread the fixture wires through the coupling, hex nut, long nipple, big tube, cap, canopy, metal pad, washer, grounding pad and another hex nut.
6. Secure the coupling onto the stem on the top of the light kit. Then screw the long nipple into the coupling, then secure it with a hex nut.
7. Slip the big tube, cap with the open side facing downward and the canopy down through the long nipple, secure them together with a metal pad, washer, grounding pad and hex nut.
8. Cut the redundant wires if necessary. Pull out the outlet wires and the house grounding wire from the outlet box. Make wire connections using the wire nuts:
 - Connect the black wire from fixture to the black wire from power source.
 - Connect the white wire from fixture to the white wire from power source.
 - Attach the fixture grounding wire to the mounting strap with the green grounding screw. Then connect it to the house grounding wire with the wire nut.

Carefully put wires back into the outlet box.
9. Attach the canopy to the mounting strap, and secure it with the bolt nuts.
10. Follow steps 10~13 as For Light Kit.

