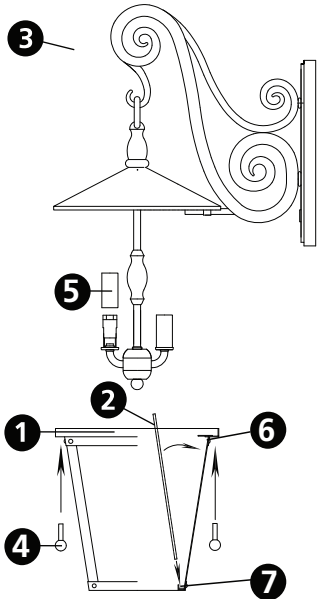
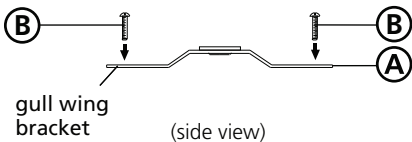


▼ start here

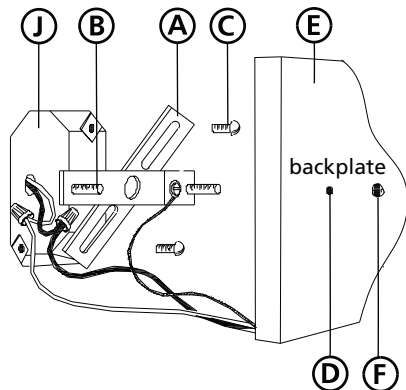
Drawing 1 - Fixture Assembly



Drawing 2 - Strap Detail



Drawing 3 - Fixture Mounting



1

1. Find a clear area in which you can work.
2. Unpack fixture and glass from carton.
3. Carefully review instructions prior to assembly.

***** The construction of this fixture will be accomplished by assembling main body of fixture, mounting the mounting strap to the junction box, making all necessary electrical connections and then mounting the fixture to the wall.**

2

1. To install glass (2) in cage assembly (1), slip bottom of glass panel into channel (7) in the bottom of the cage - see **Drawing 1**.
2. Slip top of glass panel (2) under glass clip (6). Note: cut gasket material supplied to size and place between glass and clip.
3. fold over glass clip (6) to secure glass in cage (1).
4. Prior to attaching the cage, slip candle sleeve (5) over sockets.
5. To attach completed cage (2) to roof assembly (3) line up holes in cage top and roof.
6. Then thread ball knob stud (4) into roof to secure cage.

3

1. Prepare gem strap (A) for mounting, by threading the two screws (B) provided into the back of the gull wing bracket on gem strap (A) - see **Drawing 2**.
 - Be sure that holes into which the screws are threaded match the spacing of the mounting holes (D) in the back plate (E) - see **Drawings 2 and 3**.
2. Mount gem strap (A) to junction box (J) using two 1" long screws (C) provided.

SAFETY WARNING: READ WIRING AND GROUNDING INSTRUCTIONS (I.S. 18) AND ANY ADDITIONAL DIRECTIONS. TURN POWER SUPPLY OFF DURING INSTALLATION. IF NEW WIRING IS REQUIRED, CONSULT A QUALIFIED ELECTRICIAN OR LOCAL AUTHORITIES FOR CODE REQUIREMENTS.

4

- Make electrical connections from supply wire to fixture lead wires. Refer to instruction sheet 18 (I.S. 18) and follow instructions to make all necessary wiring connections.

5

1. Mount the fixture by slipping the holes (D) in the back plate (E) over the screws (B) in the mounting strap (A) - see **Drawing 3**.
2. Hold fixture against wall and thread ball knobs (F) onto end of screw (B) showing through the back plate.

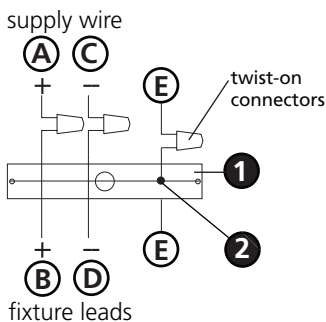
Note: Maximum wattage for 1434 fixture is 60 watts per bulb.
Maximum wattage for 1435 fixture is 60 watts per bulb.
Maximum wattage for 1438 fixture is 60 watts per bulb.

9.23.10

Drawing 1 - Flush Mount



Drawing 2 - Chain Hung



Drawing 3 - Post-Mount



SAFETY WARNING: READ WIRING AND GROUNDING INSTRUCTIONS (I.S. 18) AND ANY ADDITIONAL DIRECTIONS. TURN POWER SUPPLY OFF DURING INSTALLATION. IF NEW WIRING IS REQUIRED, CONSULT A QUALIFIED ELECTRICIAN OR LOCAL AUTHORITIES FOR CODE REQUIREMENTS.

wiring instructions

Indoor Fixtures

1. Connect positive supply wire **(A)** (typically black or the smooth, unmarked side of the two-conductor cord) to positive fixture lead **(B)** with appropriately sized twist on connector - see **Drawings 1 or 2**.
2. Connect negative supply wire **(C)** (typically white or the ribbed, marked side of the two-conductor cord) to negative fixture lead **(D)**.
3. Please refer to the **grounding instructions** below to complete all electrical connections.

Outdoor Fixtures

1. Connect positive supply wire **(A)** (typically black or the smooth unmarked side of the two-conductor cord) to positive fixture lead **(B)** with appropriately sized twist on connector - see **Drawings 2 or 3**.
2. Connect negative supply wire **(C)** (typically white or the ribbed, marked side of the two-conductor cord) to negative fixture lead **(D)**.
3. Cover open end of connectors with silicone sealant to form a watertight seal.
 - If installing a wall mount fixture, use caulk to seal gaps between the fixture mounting plate (backplate) and the wall. This will help prevent water from entering the outlet box. If the wall surface is lap siding, use caulk and a fixture mounting platform specially.
4. Please refer to the **grounding instructions** below to complete all electrical connections.

grounding instructions

Flush Mount Fixtures

For positive grounding in a 3-wire electrical system, fasten the fixture ground wire **(E)** (typically copper or green plastic coated) to the fixture mounting strap **(1)** with the ground screw **(2)** - see **Drawing 1**.

Note: On straps for screw supported fixtures, first install the two mounting screws in strap. Any remaining tapped hole may be used for the ground screw.

Chain Hung Fixtures

Loop fixture ground wire **(E)** (typically copper or green plastic coated) under the head of the ground screw **(2)** on fixture mounting strap **(1)** and connect to the loose end of the fixture ground wire directly to the ground wire of the building system with appropriately sized twist-on connectors - see **Drawing 2**.

Post-Mount Fixtures

Connect fixture ground wire **(E)** (typically copper or green plastic coated) to power supply ground with appropriately sized twist-on connector inside post. Cover open end of connector with silicone sealant to form a watertight seal - see **Drawing 3**.

 **start here**

1. After securing fixture to the wall it is recommended that the gap between the wall and the fixture backplate be sealed with any good quality waterproof caulk or silicone sealant, on the top and sides leaving the bottom open as a weep hole.
(NOT INCLUDED) see Drawing 1.



Drawing 1